

LCD Module Specification

Model No.: LG12864J-FFDWH6V
LG12864J-LMDWH6V

Table of Contents

1. BASIC SPECIFICATIONS	2
2. ABSOLUTE MAXIMUM RATINGS	4
3. ELECTRICAL CHARACTERISTICS	4
4. DISPLAY CONTROL COMMANDS	8
5. CONNECTION WITH 8051 FAMILY MPU	9
6. INITIALIZATION AND POWER OFF	10
7. ELECTRO-OPTICAL CHARACTERISTICS	11
8. DIMENSIONAL OUTLINE	12
9. LCD MODULE NUMBERING SYSTEM	13
10. PRECAUTIONS FOR USE OF LCD MODULE	14

RECORD OF REVISION

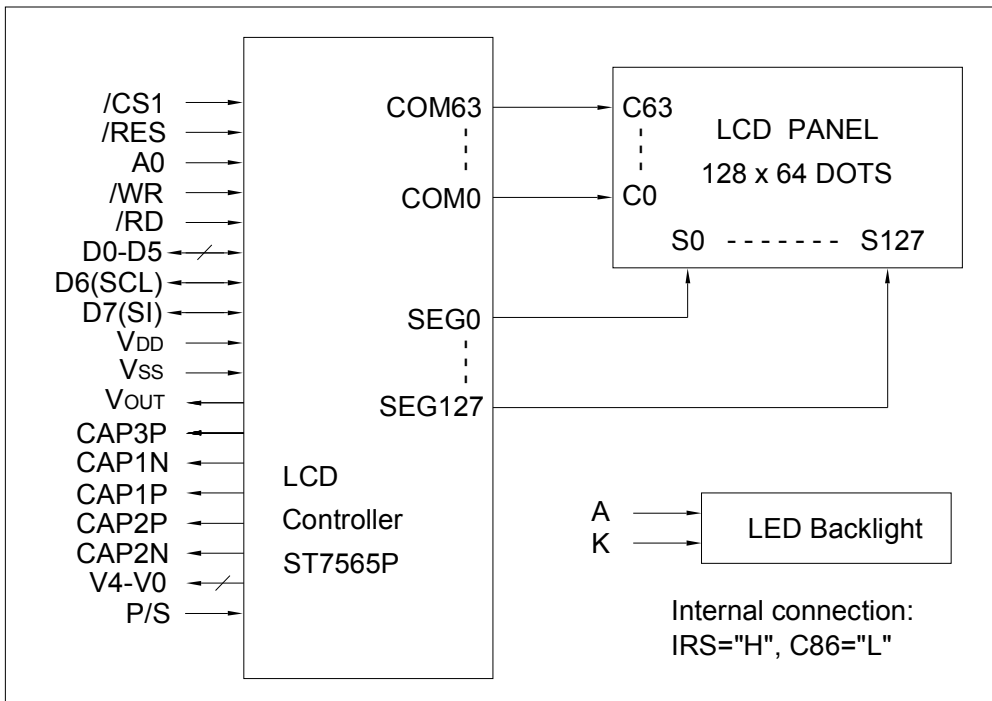
Rev.	Date	Page	Item	Description
0.1	2010/05/18	-	-	New release

1. BASIC SPECIFICATIONS

1.1 Features

Item		Specifications	Unit
Display Format		128 x 64	dot
LCD Type	FFDWH6V	FSTN - Positive - Transflective Black characters on white background	-
	LMDWH6V	FSTN - Blue - Negative - Transmissive Pure white characters on blue background	-
Driving Method		1/65 Duty, 1/9 Bias	-
Viewing Direction		6:00	O'clock
Backlight & Color		LED, white color	-
Outline Dimension (WxHxT)		51.0 x 38.0 x 8.5 (FPC length not included)	mm
Viewing Area (WxH)		46.0 x 26.0	mm
Active Area (WxH)		44.13 x 23.01	mm
Dot Pitch (WxH)		0.345 x 0.36	mm
Dot Size (WxH)		0.315 x 0.33	mm
Weight		15	g
Controller		ST7565P (COG)	-
Interface		8-bit parallel (8080 series MPU) or serial	-
Power Supply (VDD)		3.0 to 3.3	V

1.2 Block Diagram



1.3 Terminal Functions

Pin No.	Symbol	Level	Function
1	NC	-	No connection
2	/CS1	L	Chip selection signal. Active "L".
3	/RES	L	Reset signal. Active "L".
4	A0	H/L	Data or instruction selection. A0="H": D0 to D7 are display data. A0="L": D0 to D7 are Instruction code.
5	/WR	L	/WR signal for 8080 series MPU. Write data at rising edge of /WR.
6	/RD	L	/RD signal for 8080 series MPU. Read data when /RD is "L".
7	D0	H/L	<p>When P/S="H" (Parallel interface mode): D0 to D7 are 8-bit bi-directional data bus.</p> <p>When P/S="L" (Serial interface mode): D7 is serial data input (SI). D6 is serial clock input (SCL). D0 to D5 should be connected to VDD.</p>
8	D1	H/L	
9	D2	H/L	
10	D3	H/L	
11	D4	H/L	
12	D5	H/L	
13	D6 (SCL)	H/L	
14	D7 (SI)	H/L	
15	VDD	3V to 3.3V	Power supply for logic and DC/DC converter
16	VSS	0V	Ground
17	VOUT	-	DC/DC voltage converter output. Connect a capacitor to VSS.
18	CAP3P	-	DC/DC voltage converter capacitor 3 positive connection
19	CAP1N	-	DC/DC voltage converter capacitor 1 negative connection
20	CAP1P	-	DC/DC voltage converter capacitor 1 positive connection
21	CAP2P	-	DC/DC voltage converter capacitor 2 positive connection
22	CAP2N	-	DC/DC voltage converter capacitor 2 negative connection
23	V4	-	Power supply for LCD drive. Connect a capacitor to VSS.
24	V3	-	Power supply for LCD drive. Connect a capacitor to VSS.
25	V2	-	Power supply for LCD drive. Connect a capacitor to VSS.
26	V1	-	Power supply for LCD drive. Connect a capacitor to VSS.
27	V0	-	Power supply for LCD drive. Connect a capacitor to VSS.
28	P/S	H/L	Parallel/Serial data input selection. P/S="H": Parallel data input P/S="L": Serial data input When P/S="L", D0 to D5 should be fixed to "H". /RD, /WR are fixed to either "H" or "L". Serial mode does not support read operation.

Note: IRS and C86 terminals are connected to VDD and VSS respectively on ITO glass. ST7565P is set to use internal resistors for V0 voltage adjustment and 8080 series MPU interface.

2. ABSOLUTE MAXIMUM RATINGS

Item	Symbol	Condition	Min.	Max.	Unit
Supply Voltage (Logic and Booster)	VDD	4x booster	-0.3	3.6	V
Supply Voltage (LCD)	V0, VOUT		-0.3	14.5	V
Input Voltage	VI		-0.3	VDD+0.3	V
Operating Temperature	Topr		-20	70	°C
Storage Temperature	Tstg		-30	80	°C

3. ELECTRICAL CHARACTERISTICS

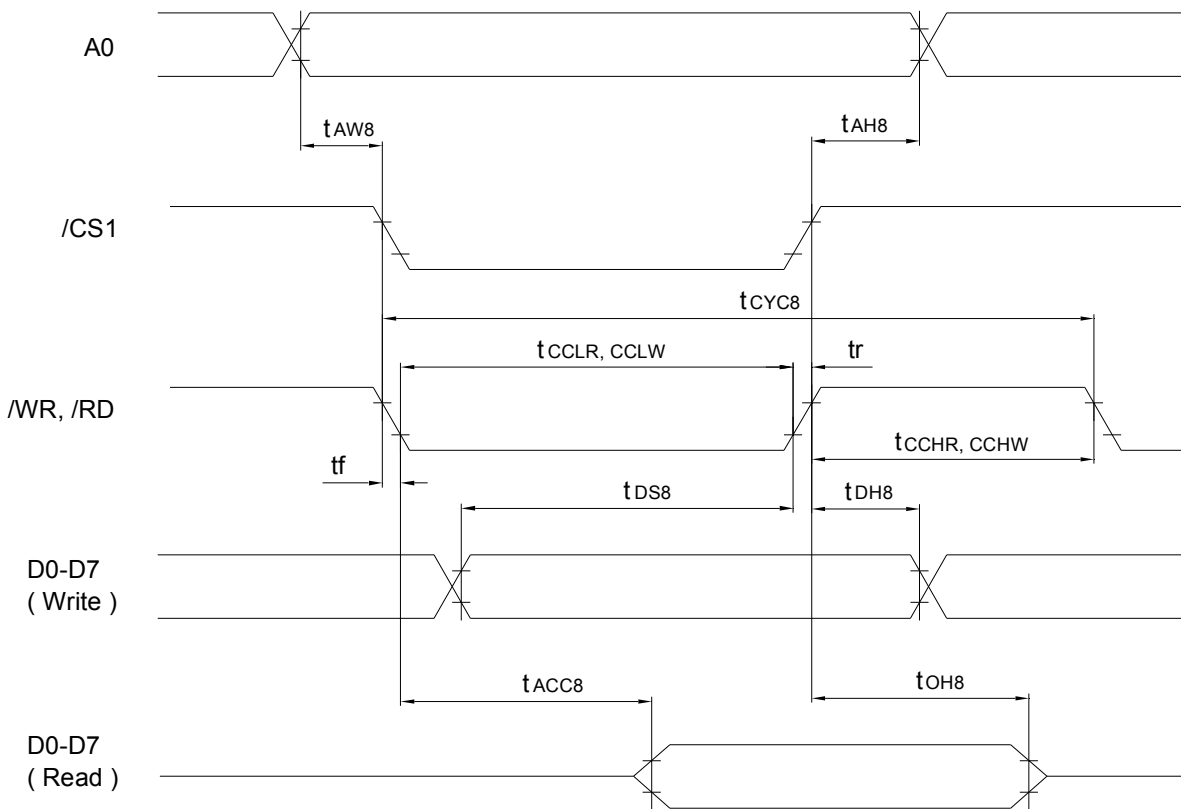
3.1 DC Characteristics (Ta=25°C)

Item	Symbol	Condition	Min.	Typ.	Max.	Unit
Supply Voltage (Logic and Booster)	VDD	4x booster	3.0	-	3.3	V
Supply Voltage (LCD Drive)	V0		-	9.6	-	V
Input High Voltage	VIH		0.8VDD	-	VDD	V
Input Low Voltage	VIL		0	-	0.2VDD	V
Output High Voltage	VOH	IOH=-0.1mA	0.8VDD	-	VDD	V
Output Low Voltage	VOL	IOL=0.1mA	0	-	0.2VDD	V
Supply Current	IDD	VDD=3.0V 4x booster	-	0.5	1.0	mA

3.2 System Bus Read/Write Characteristics (8080 Series MPU, VDD=3.3V, Ta=25°C)

Parameters	Signal	Symbol	Min.	Max.	Condition	Unit
Address Hold Time	A0	t _{AH8}	0	-		ns
Address Setup Time		t _{AW8}	0	-		
System Cycle Time	/RD, /WR	t _{CYC8}	240	-		
Write L Pulse Width	/WR	t _{CCLW}	80	-		
Write H Pulse Width		t _{CCHW}	80	-		
Read L Pulse Width	/RD	t _{CCLR}	140	-		
Read H Pulse Width		t _{CCHR}	80	-		
Data Setup Time	D0-D7	t _{DS8}	40	-		
Data Hold time		t _{DH8}	0	-		
Read Access Time		t _{ACC8}	-	70	CL=100pF	
Output Disable Time		t _{OH8}	5	50	CL=100pF	

- *1 The input signal rise and fall time (tr, tr) is specified at 15 ns or less.
- *2 All timing is specified using 20% and 80% of VDD as the reference.
- *3 t_{CCLW} and t_{CCLR} are specified as the overlap period when /CS1 is "L" and /WR(or /RD) is "L".



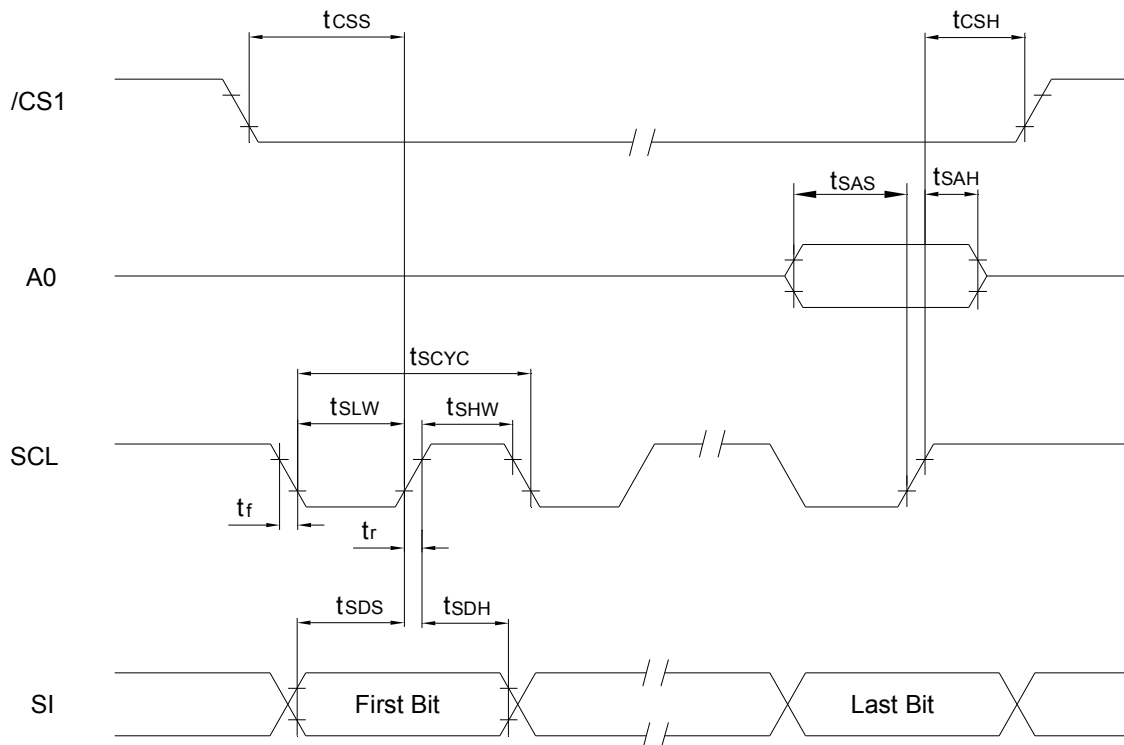
Bus Read/Write Timing (8080 Series MPU)

3.3 Serial Interface (VDD=3.3V, Ta=25°C)

Parameters	Signal	Symbol	Min.	Max.	Condition	Unit
Serial Clock Period	SCL	tSCYC	50	-		ns
SCL H Pulse Width		tSHW	25	-		
SCL L Pulse Width		tSLW	25	-		
Address Setup Time	A0	tSAS	20	-		
Address Hold Time		tSAH	10	-		
Data Setup Time	SI	tSDS	20	-		
Data Hold Time		tSDH	10	-		
CS-SCL Time	/CS1	tCSS	20	-		
CS-SCL Time		tCSH	40	-		

*1 The input signal rise and fall time (t_r , t_f) are specified at 15 ns or less.

*2 All timing is specified using 20% and 80% of VDD as the standard.

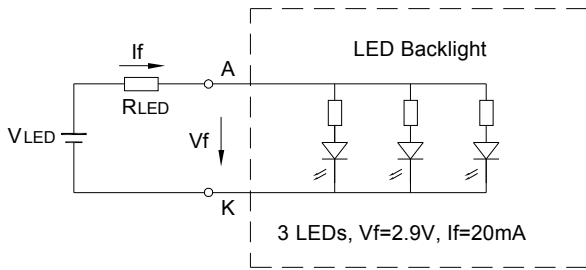


Serial Interface Timing

3.4 LED Backlight Characteristics (Ta=25°C)

Item	Symbol	Condition	Min.	Typ.	Max.	Unit
Forward Voltage	Vf		2.8	2.9	3.1	V
Forward Current	If	Vf=2.9V	-	20	-	mA
Color	White					

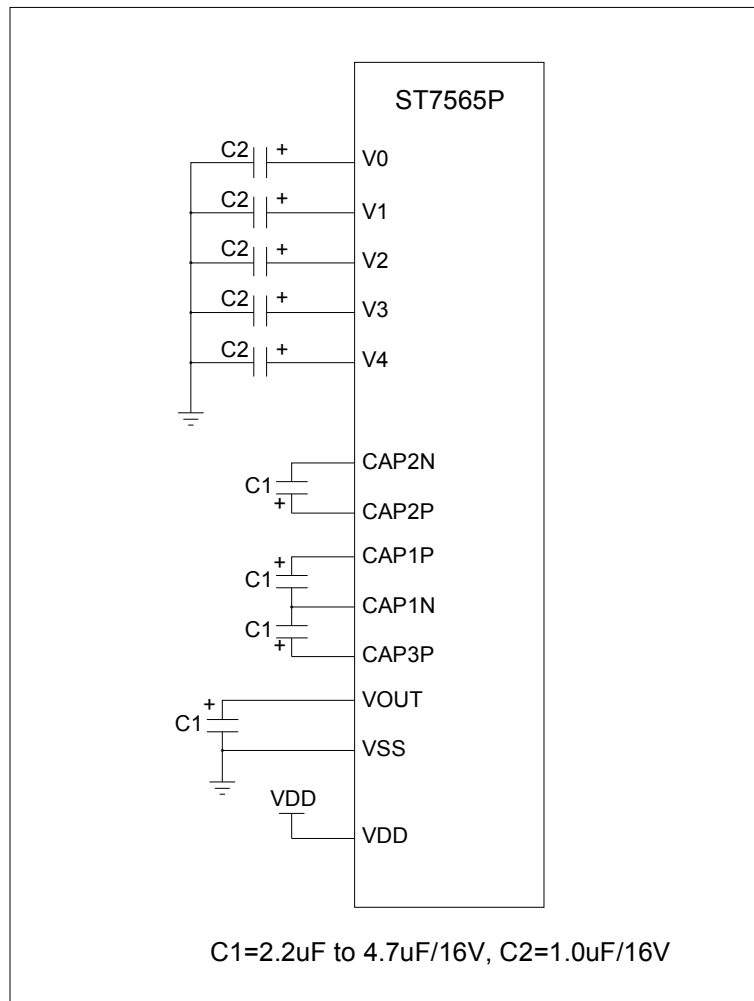
* RLED is the current limiting resistor for LED backlight. $R_{LED} = (V_{LED} - 2.9V) / 20mA$



Recommended value for RLED

VLED	RLED
5.0V	110 Ω ± 1%, 1/4W
3.3V	20 Ω ± 1%, 1/10W
3.0V	5.1 Ω ± 1%, 1/10W

3.5 Power Supply for Logic and LCD Driving (VDD=3.0V to 3.3V, 4x booster)



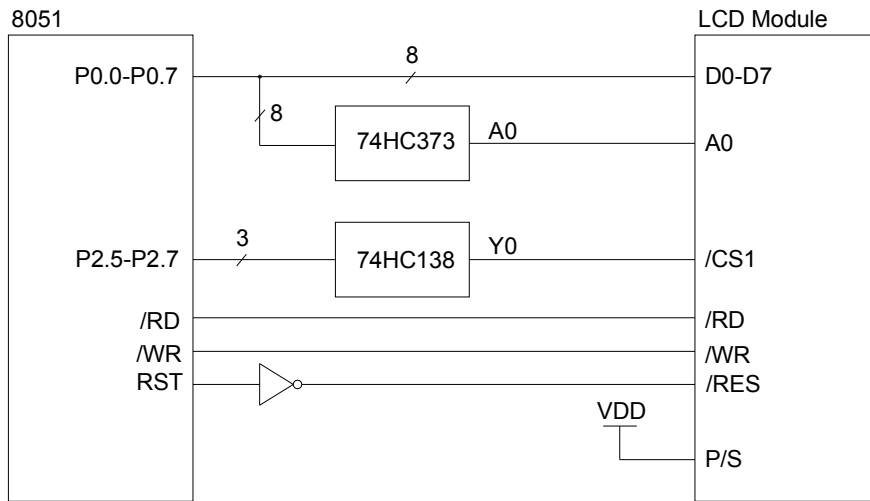
4. DISPLAY CONTROL COMMANDS

Command	Command Code											Function
	A0	/RD	/WR	D7	D6	D5	D4	D3	D2	D1	D0	
(1) Display ON/OFF	0	1	0	1	0	1	0	1	1	1	D	LCD display ON/OFF D=0: OFF; D=1:ON
(2) Display start line set	0	1	0	0	1	SA5	SA4	SA3	SA2	SA1	SA0	Set the display RAM display start line address (0-63)
(3) Page address set	0	1	0	1	0	1	1	PA3	PA2	PA1	PA0	Set the display RAM page address (0-8)
(4) Column address set upper bits	0	1	0	0	0	0	1	CA7	CA6	CA5	CA4	Set the upper 4 bits of the display RAM column address
Column address set lower bits	0	1	0	0	0	0	0	CA3	CA2	CA1	CA0	Set the lower 4 bits of the display RAM column address (0-131)
(5) Status read	0	0	1	BUSY	ADC	ON/OFF	RESET	0	0	0	0	Read the status data
(6) Display data write	1	1	0	D7	D6	D5	D4	D3	D2	D1	D0	Write data to the display RAM
(7) Display data read	1	0	1	D7	D6	D5	D4	D3	D2	D1	D0	Read data from the display RAM
(8) ADC select	0	1	0	1	0	1	0	0	0	0	ADC	Set the display RAM address SEG output correspondence ADC=0: normal, ADC=1: reverse
(9) Display normal/reverse	0	1	0	1	0	1	0	0	1	1	REV	Set LCD display normal/reverse REV=0: normal, REV=1: reverse
(10) Display all points ON/OFF	0	1	0	1	0	1	0	0	1	0	EON	Display all points EON=0: normal display EON=1: all points On
(11) LCD bias set	0	1	0	1	0	1	0	0	0	1	BIAS	Set LCD drive voltage bias ratio BIAS=0:1/9 bias, BIAS=1:1/7 bias
(12) Read/modify/write	0	1	0	1	1	1	0	0	0	0	0	Set read/modify/write mode
(13) End	0	1	0	1	1	1	0	1	1	1	0	Clear read/modify/write mode
(14) Reset	0	1	0	1	1	1	0	0	0	1	0	Internal reset
(15) Common output mode select	0	1	0	1	1	0	0	SHL	*	*	*	Select COM output scan direction SHL=0: normal direction SHL=1: reverse direction
(16) Power control set	0	1	0	0	0	1	0	1	VC	VR	VF	Select internal power supply operating mode
(17) V0 voltage regulator internal resistor ratio set	0	1	0	0	0	1	0	0	R2	R1	R0	Select internal resistor ratio (Rb/Ra) mode (0-7)
(18) Electronic volume mode set	0	1	0	1	0	0	0	0	0	0	1	Set electronic volume mode
Electronic volume register set	0	1	0	0	0	EV5	EV4	EV3	EV3	EV1	EV0	Set electronic volume register (0-63)
(19) Static indicator ON/OFF	0	1	0	1	0	1	0	1	1	0	SM	SM=0: OFF, SM=1: ON
Static indicator register set	0	1	0	0	0	0	0	0	0	S1	S0	Set static indicator flashing mode Static Indicator function and command was canceled from ST7565P Ver 2.0 datasheet
(20) Booster ratio set	0	1	0	1	1	1	1	1	0	0	0	Select booster ratio
	0	1	0	0	0	0	0	0	0	BR1	BR0	
(21) Power saver												Display OFF and display all points ON compound command
(22) NOP	0	1	0	1	1	1	0	0	0	1	1	Command for non-operation
(23) Test	0	1	0	1	1	1	1	1	1	*	*	Command for IC test. Do not use this command

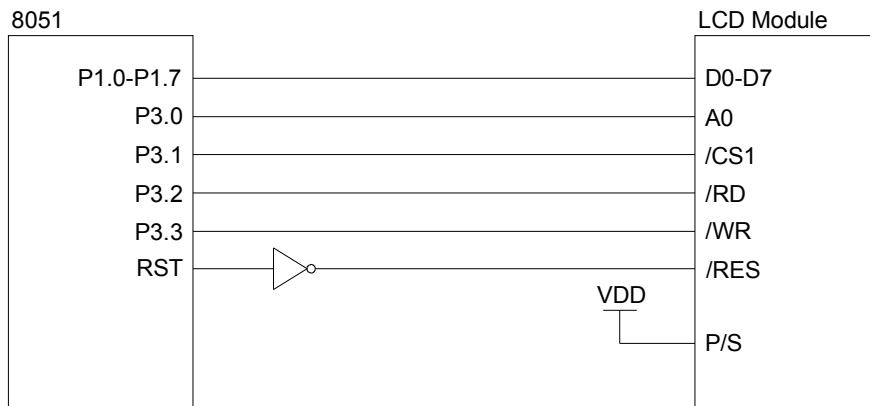
Note: Please refer to ST7565P datasheet for details.

“*”: Don't care

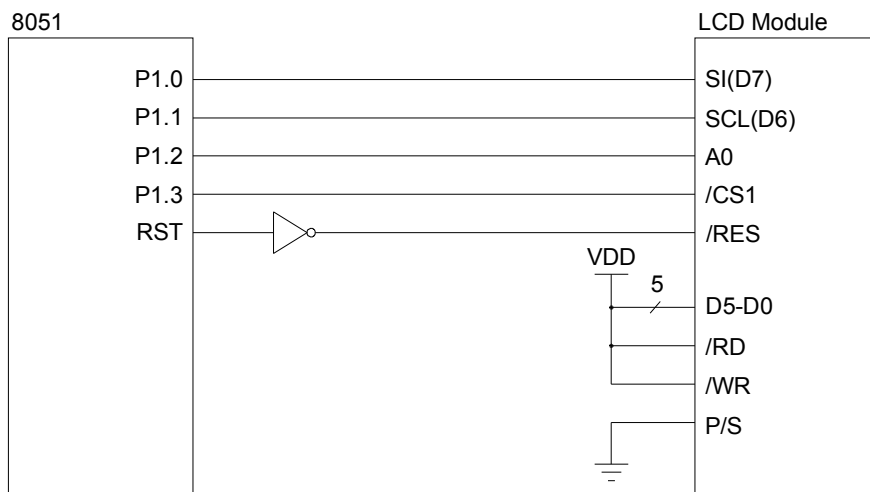
5. CONNECTION WITH 8051 FAMILY MPU



a. 8-bit parallel interface



b. 8-bit parallel interface



c. Serial interface

6. INITIALIZATION AND POWER OFF

6.1 Power on Initialization Sequence

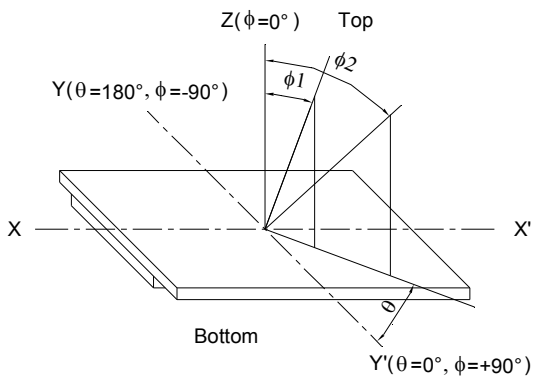
No.	Command	Description
1	Power on	Power on
2	Reset	a. Keep /RES= "L" b. Wait for power stabilized (depends on system power) c. Release reset state: set /RES="H" d. Delay 10 μ s, then start the following initialization commands.
3	LCD bias set: A2H	Set LCD bias ratio: 1/9 bias
4	ADC select: A0H	Set LCD segment output pins normal direction
5	Common output mode select: C8H	Set LCD common output scan reverse direction
6	Booster ratio set: F8H, 00H (4x booster)	Select 4x booster
7	V0 voltage regulator Internal resistor ratio set: 25H	Set internal resistor ratio $(1+R_b/R_a)=5.5$
8	Electronic volume register set: 81H, 24H	Set electronic volume register value=24H. "24H" is a reference value, modify this value to get the best display contrast. Because of the manufacturing dispersion of LCD modules, electronic volume register value may need be changed to match the driving voltage (V0) for different lot of LCD modules.
9	Power control set 2CH, 2EH, 2FH	a. Set booster circuit ON b. Set voltage regulator circuit ON c. Set voltage follower circuit ON
10	Display on: AFH	Set display ON
11	End of initialization	

6.2 Power off Sequence

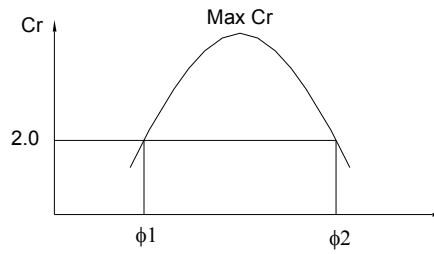
No.	Command	Description
1	Optional status	Normal operation
2	Power save: AEH, A5H	a. Set display OFF b. Set display all points ON
3	Reset	a. Set /RES= "L" b. Delay 50ms, then power off
4	Power off	

7. ELECTRO-OPTICAL CHARACTERISTICS (Ta=25°C)

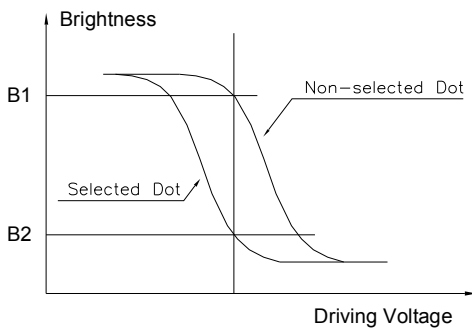
Item	Symbol	Condition	Min.	Typ.	Max.	Unit	Note
View Angle	$\Phi 2-\Phi 1$	$Cr \geq 2, \theta = 0^\circ$	-	70	-	Deg	Note1, Note2
Contrast Ratio	Cr	$\Phi = 0^\circ, \theta = 0^\circ$	3	-	-	-	Note3
Response Time	tr (rise)	$\Phi = 0^\circ, \theta = 0^\circ$	-	200	-	ms	Note4
	tf (fall)	$\Phi = 0^\circ, \theta = 0^\circ$	-	250	-	ms	



Note1: Definition of viewing angle ϕ, θ

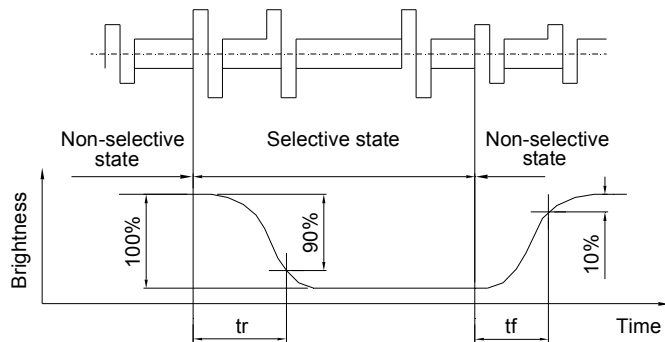


Note2: Definition of viewing angle range $\phi 1, \phi 2$



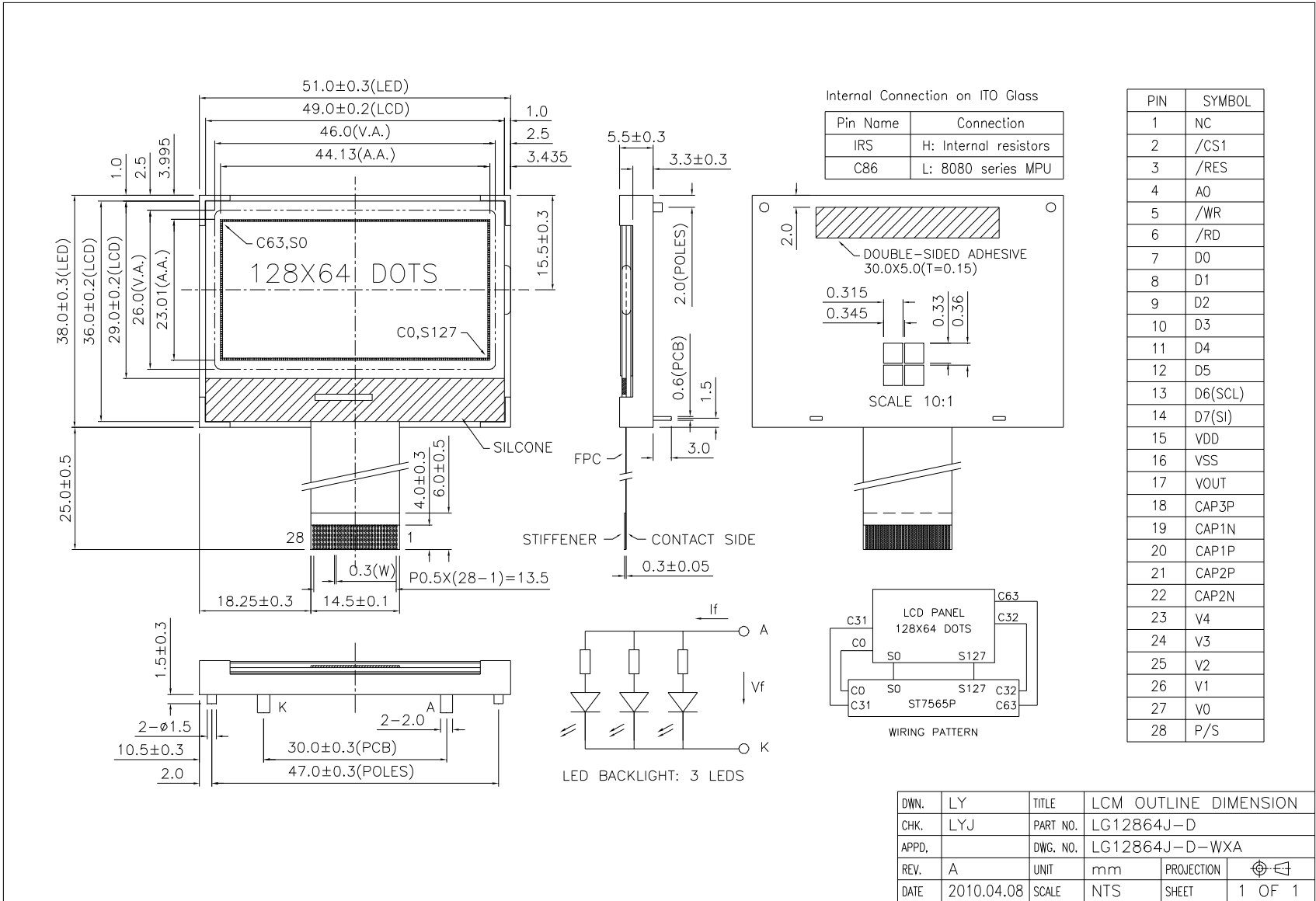
$$\text{Contrast Ratio} = \frac{\text{Brightness of non-selected dot (B1)}}{\text{Brightness of selected dot (B2)}}$$

Note3: Definition of contrast ratio (positive type)



Note3: Definition of response time

8. DIMENSIONAL OUTLINE



DWN.	LY	TITLE	LCM OUTLINE DIMENSION		
CHK.	LYJ	PART NO.	LG12864J-D		
APPD.		DWG. NO.	LG12864J-D-WXA		
REV.	A	UNIT	mm	PROJECTION	
DATE	2010.04.08	SCALE	NTS	SHEET	1 OF 1

9. LCD MODULE NUMBERING SYSTEM

L G 128 64 J - F F D W H 6 V - XXXXX
 (1) (2) (3) (4) (5) (6) (7) (8) (9) (10) (11) (12) (13)

(1) Brand

(2) Module type

C - Character module

G - Graphic module

(3) Display format

Character module : Number of characters per line, two digits XX

Graphic module : Number of columns, three digits XXX

(4) Display format

Character module : Number of lines, one digit X

Graphic module : Number of rows, two or three digits XX or XXX

(5) Development number : One or two digits X or XX

(6) LCD mode

T - TN Positive, Gray

N - TN Negative, Blue

S - STN Positive, Yellow green

G - STN Positive, Gray

B - STN Negative, Blue

F - FSTN Positive, White

K - FSTN Negative, Black

L - FSTN Negative, Blue

Q - FFSTN Negative, Black

(7) Polarizer mode

R - Reflective

F - Transflective

M - Transmissive

(8) Backlight type

N - Without backlight

L - Array LED

D - Edge light LED

E - EL

C - CCFL

(9) Backlight color

Y - Yellow green

B - Blue

W - White

G - Green

A - Amber

R - Red

M - Multi color

Nil - Without backlight

(10) Operating temperature range

S - Standard temperature (0 to +50 °C)

H - Extended temperature (-20 to +70 °C)

(11) Viewing direction

3 - 3:00

6 - 6:00

9 - 9:00

U - 12:00

(12) DC-DC Converter

N or Nil - Without DC-DC converter

V - Built in DC-DC converter

(13) Version code

Nil or 0 to ZZZZZ - Version code

10. PRECAUTIONS FOR USE OF LCD MODULE

10.1 Handling Precautions

- 1) The display panel is made of glass. Do not subject it to a mechanical shock by dropping it from a high place, etc.
- 2) If the display panel is damaged and the liquid crystal substance inside it leaks out, be sure not to get any in your mouth. If the substance comes into contact with your skin or clothes, promptly wash it off using soap and water.
- 3) Do not apply excessive force on the surface of display or the adjoining areas of LCD module since this may cause the color tone to vary.
- 4) The polarizer covering the display surface of the LCD module is soft and easily scratched. Handle this polarizer carefully.
- 5) If the display surface of LCD module becomes contaminated, blow on the surface and gently wipe it with a soft dry cloth. If it is heavily contaminated, moisten cloth with one of the following solvents.
 - Isopropyl alcohol
 - Ethyl alcoholSolvents other than those mentioned above may damage the polarizer.
Especially, do not use the following:
 - Water
 - Ketone
 - Aromatic Solvents
- 6) When mounting the LCD module make sure that it is free of twisting, warping, and distortion. Distortion has great influence upon display quality. Also keep the stiffness enough regarding the outer case.
- 7) Be sure to avoid any solvent such as flux for soldering never stick to Heat-Seal. Such solvent on Heat-Seal may cause connection problem of heat-Seal and TAB.
- 8) Do not forcibly pull or bend the TAB I/O terminals.
- 9) Do not attempt to disassemble or process the LCD module.
- 10) NC terminal should be open. Do not connect anything.
- 11) If the logic circuit power is off, do not apply the input signals.
- 12) To prevent destruction of the elements by static electricity, be careful to maintain an optimum work environment.
 - Be sure to ground the body when handling the LCD module.
 - Tools required for assembly, such as soldering irons, must be properly grounded.
 - To reduce the amount of static electricity generated, do not conduct assembly and other work under dry conditions.
 - The LCD module is coated with a film to protect the display surface. Exercise care when peeling off this protective film since static electricity may be generated.

10.2 Storage Precautions

- 1) When storing the LCD module, avoid exposure to direct sunlight or to the light of fluorescent lamps and high temperature/high humidity. Whenever possible, the LCD module should be stored in the same conditions in which they were shipped from our company.

- 2) Exercise care to minimize corrosion of the electrodes. Corrosion of the electrodes is accelerated by water droplets or a current flow in a high humidity environment.

10.3 Design Precautions

- 1) The absolute maximum ratings represent the rated value beyond which LCD module can not exceed. When the LCD modules are used in excess of this rated value, their operating characteristics may be adversely affected.
- 2) To prevent the occurrence of erroneous operation caused by noise, attention must be paid to satisfy VIL, VIH specification values, including taking the precaution of using signal cables that are short.
- 3) The liquid crystal display exhibits temperature dependency characteristics. Since recognition of the display becomes difficult when the LCD is used outside its designated operating temperature range, be sure to use the LCD within this range. Also, keep in mind that the LCD driving voltage levels necessary for clear displays will vary according to temperature.
- 4) Sufficiently notice the mutual noise interference occurred by peripheral devices.
- 5) To cope with EMI, take measures basically on outputting side.
- 6) If DC is impressed on the liquid crystal display panel, display definition is rapidly deteriorated by the electrochemical reaction that occurs inside the liquid crystal display panel. To eliminate the opportunity of DC impressing, be sure to maintain the AC characteristics of the input signals sent to the LCD Module.

10.4 Others

- 1) Liquid crystals solidify under low temperatures (below the storage temperature range) leading to defective orientation or the generation of air bubbles (black or white). Air bubbles may also be generated if the LCD module is subjected to a strong shock at a low temperature.
- 2) If the LCD modules have been operating for a long time showing the same display patterns, the display patterns may remain on the screen as ghost images and a slight contrast irregularity may also appear. A normal operating status can be regained by suspending use for some time. It should be noted that this phenomenon does not adversely affect performance reliability.
- 3) To minimize the performance degradation of the LCD modules resulting from destruction caused by static electricity, etc., exercise care to avoid touching the following sections when handling the module:
 - Terminal electrode sections.
 - Part of pattern wiring on TAB, etc.