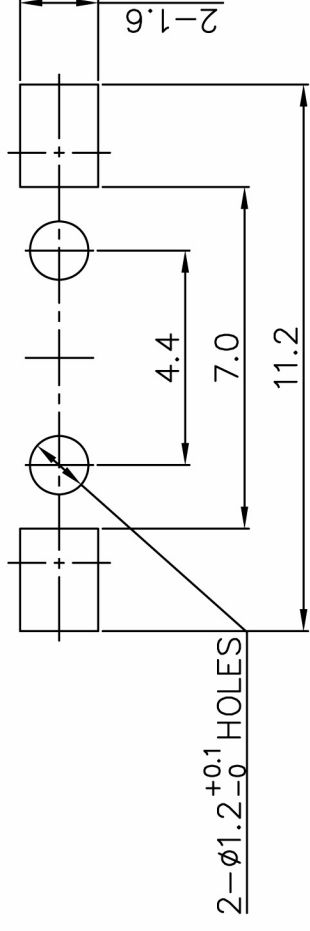


P.B.C LAND PATTERN



CIRCUIT DIAGRAM



STEM HEIGHT

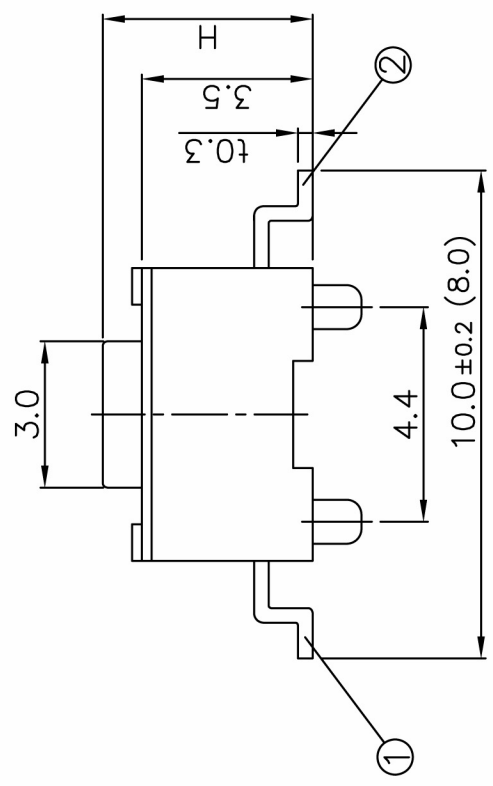
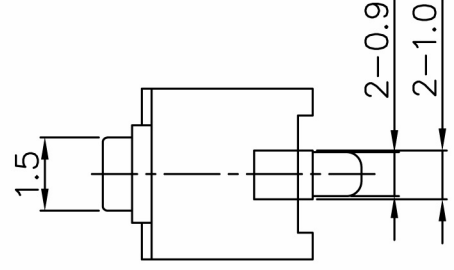
MODEL	H(mm)
1101S	4.3
1101SA	5.0

* 1101NS , NSA : Without Embossing

SPECIFICATION

1. RATING : DC 12V 50mA
2. TRAVEL : 0.25±0.1mm
3. CONTACT RESISTANCE : 100mΩ MAX.
4. BOUNCE : 10m SEC MAX.
- 5.

MODEL	OPERATING FORCE	LIFE CYCLES
1101S-1	130±30gf	50,000 CYCLE
1101S-2	180±50gf	50,000 CYCLE
1101S-3	250±50gf	30,000 CYCLE



NO.	DESIGN	CHECK	APPROVE	Q'TY	MATERIAL	SPEC	TREATMENT	REMARK
	K.M.S	M.K.J	K.Y.I	TRACE	SCALE	TITLE	1101S	
				1/1			TACT SWITCH	
EASTERN ELECTRONICS								
TOLERANCE UNLESS OTHERWISE STATED								
less than 10		±0.1						
10~30		±0.2						
30~100		±0.3						
ANGLE		±5°						
REVISION	REVISION DATE	DESCRIPTION OF REVISION	SIGN	APP.				
					DRAWING NO.		DATE	
					2003. 8. 4			