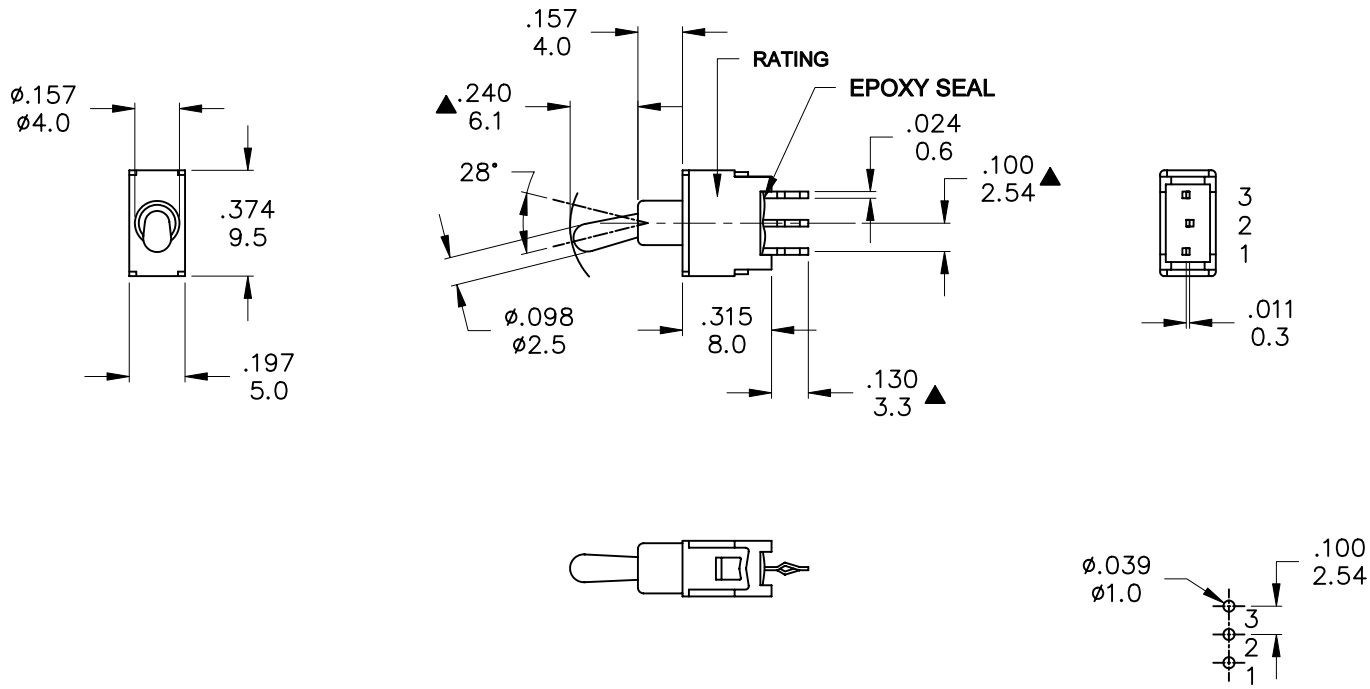


本公司智慧財產，未經同意不得複製
DAILYWELL copyright, may not be used
without permission from DAILYWELL



Model No.	POS.1	POS.2	POS.3
2TES1	ON	NONE	ON
Term. Comm.	2-3	N/A	2-1
SCHEMATIC			

SWITCH FUNCTION

SPECIFICATIONS

CONTACT RATING: Max 0.4 VA max @ 48 VAC or DC
MECHANICAL LIFE: minimum 40,000 operations.
CONTACT RESISTANCE: 50mΩ max.
INSULATION RESISTANCE: 1,000MΩ min.
DIELECTRIC STRENGTH: 500 V RMS@sea level.
OPERATING TEMPERATURE: -20°C to 85°C.
DEGREE OF PROTECTION : IP67

MATERIALS

ACTUATOR - Brass,chrome platede, internal O-ring seal.
 Standard for all actuators.
BUSHING & HOUSING - SPCC
CASE - Glass filled PBT (UL94V-0)
SWITCH SUPPORT - Brass,tin plated.
CONTACT/TERMINALS - Phosphor bronze gold - plated over nickel barrier.
TERMINAL SEAL - Epoxy
 RoHS - 2002/95/EC

P.C. MOUNTING



德利威電子股份有限公司
DAILYWELL ELECTRONICS CO.,LTD.

符號	原尺寸	修改後尺寸	變更日期	SCALE (比例): 3:2	TITLE 圖名	Subminiature Toggle Switches	SIZE 圖紙	A4		
1	(A)			TOLERANCE (公差): 0.00 mm ± 0.25mm 0.0 mm ± 0.40mm ANGULAR : ± 5° FILE NAME : 2TESP0019	DWG NO. 圖號	2TES1M22RES	UNIT 單位	inch mm		
2	(B)				REV. 版本	A	DATE 日期	MAR - 11 - 2011	SHEET 張數	1 OF 1
3	(C)				CHECKED BY 審核	RICHARD	DRAWN BY 製圖	IRENE		
4	(D)									
5	(E)									